
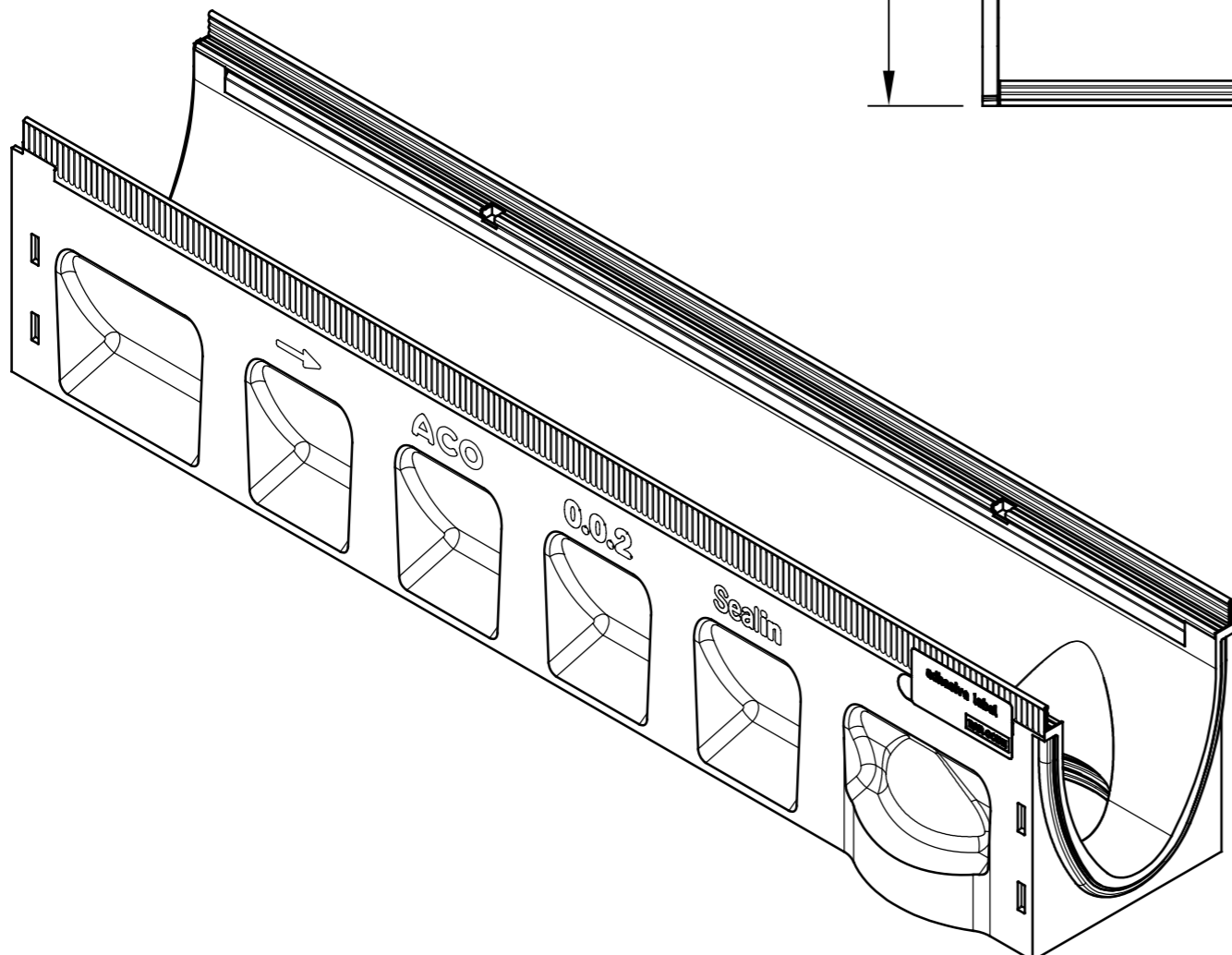
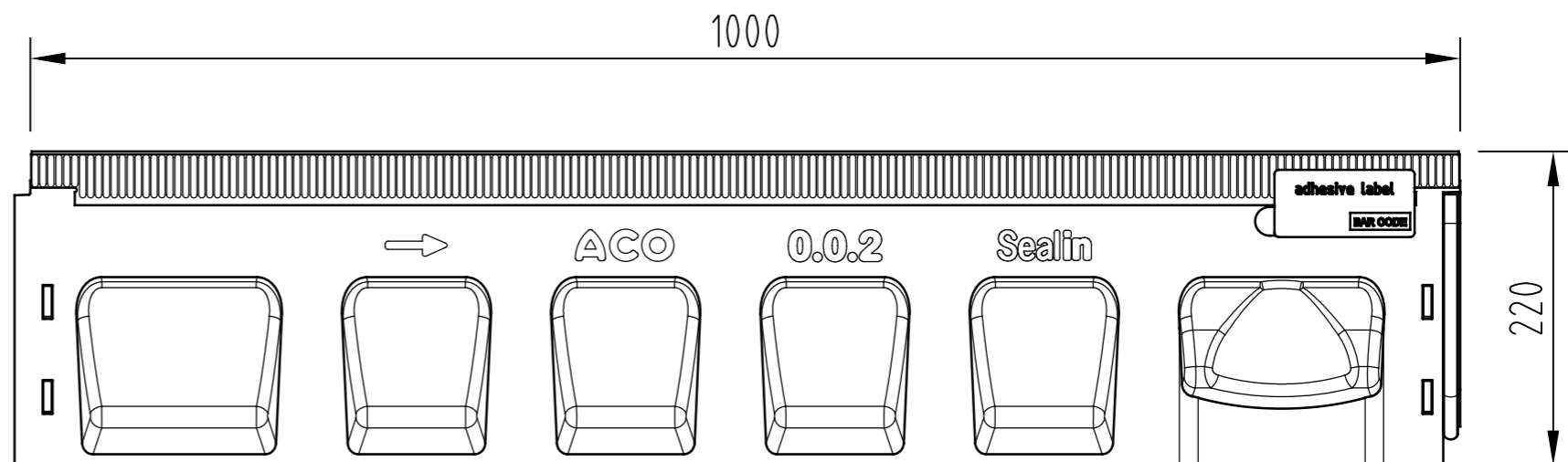
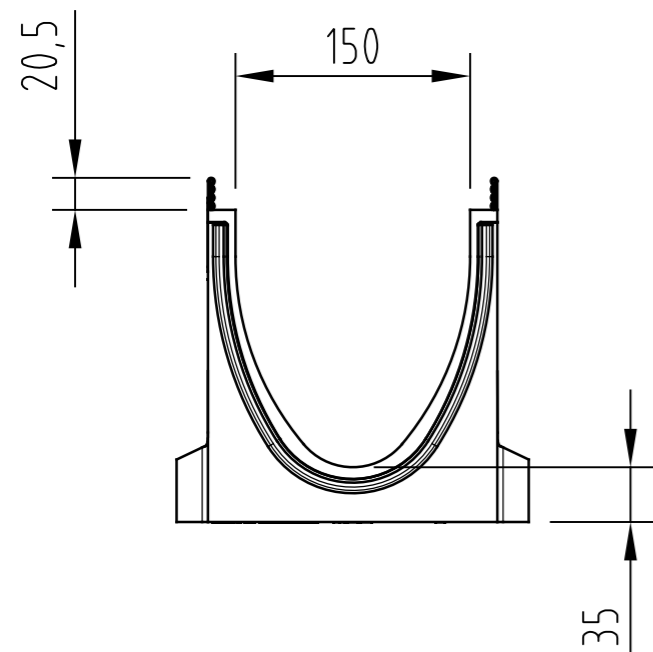



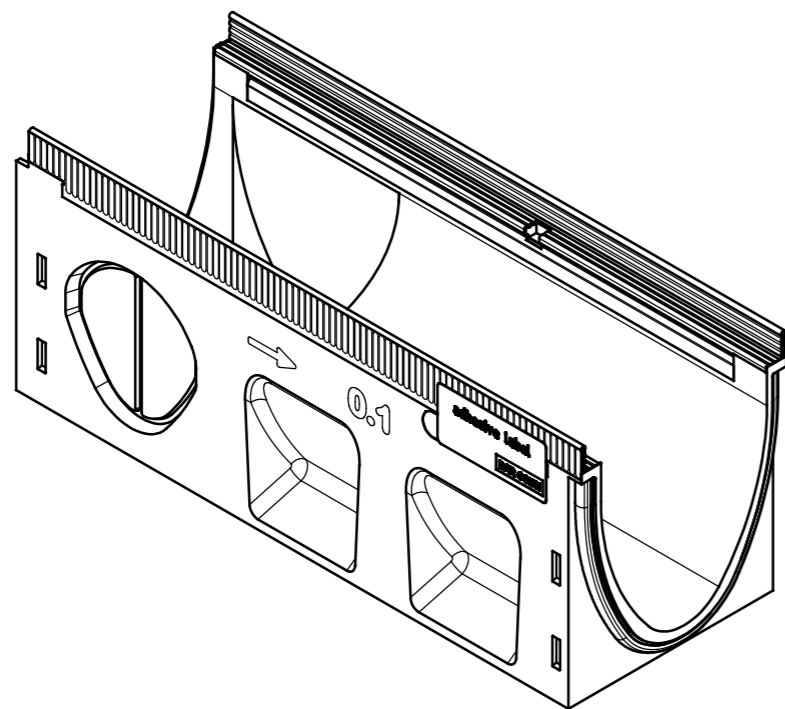
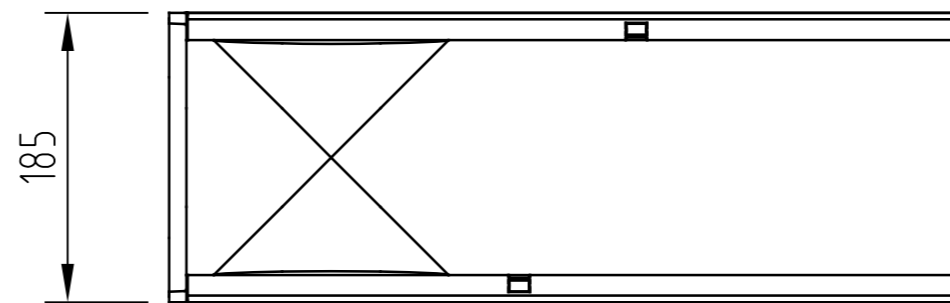
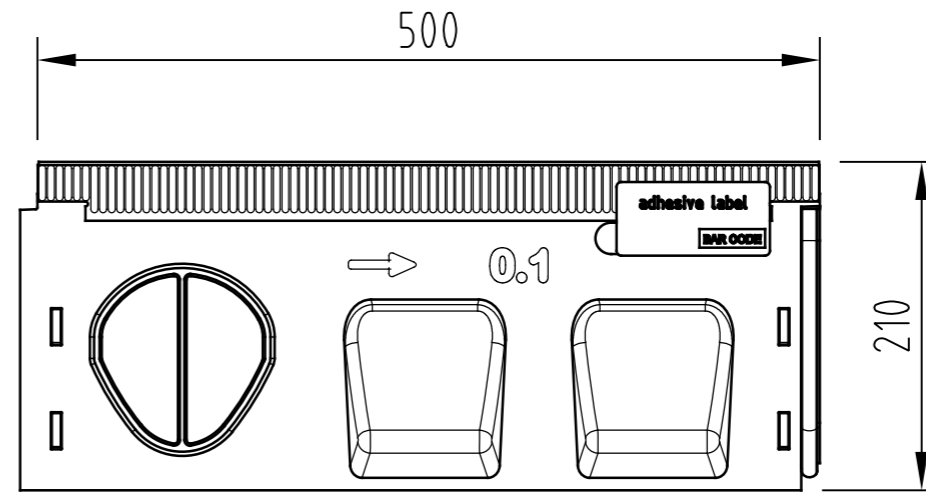
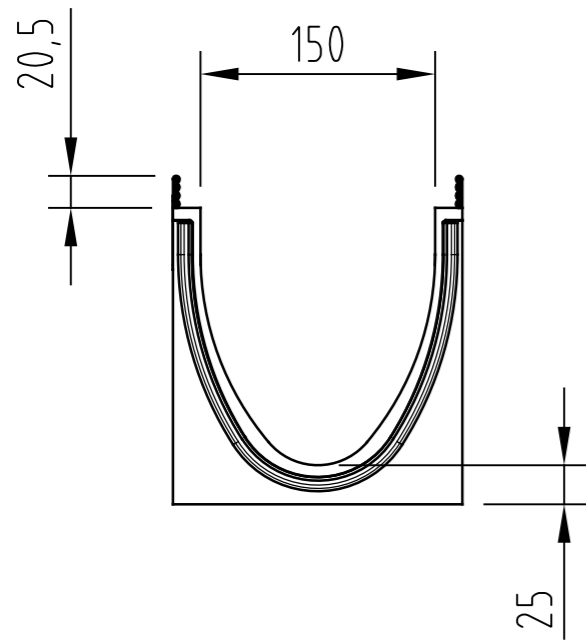
Type	H1 (mm)	H2 (mm)	Edge galv. steel Art.-No.	Edge stainl. steel Art.-No.	Type	H1 (mm)	H2 (mm)	Edge galv. steel Art.-No.	Edge stainl. steel Art.-No.
1	210	215	133301	133401	6	235	240	133306	133406
2	215	220	133302	133402	7	240	245	133307	133407
3	220	225	133303	133403	8	245	250	133308	133408
4	225	230	133304	133404	9	250	255	133309	133409
5	230	235	133305	133405	10	255	260	133310	133410

 ACO SEVERIN AHLMANN GmbH & Co.KG 24755 Rendsburg, P.O.Box 320 Germany Tel. 0049 4331 / 354-0 Fax 0049 4331 / 354 130 www.aco.com	drawing-no:	index:	documenttype: marketing drw.
	created by:	reviewed by:	projection: ISO-E scale: 1:1
title: ACO DRAIN Multiline Seal in Sloped Channel V150 1-10 with galvanized steel edge or stainless steel edge (Here shown V150 1 Seal in)			
The reproduction, distribution and utilization of this document as well as the communication of its contents to others without express authorization is prohibited. Offenders will be held liable for the payment of damages. All rights reserved in the event of the grant of a patent, utility model or design. Observe copyright by ISO 16016			release date: sheet: 1/1


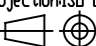


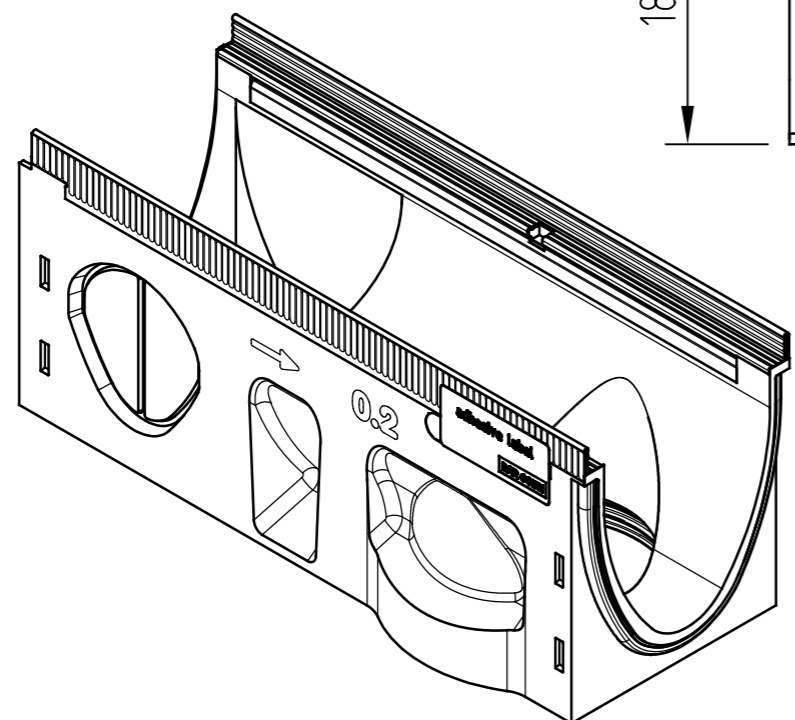
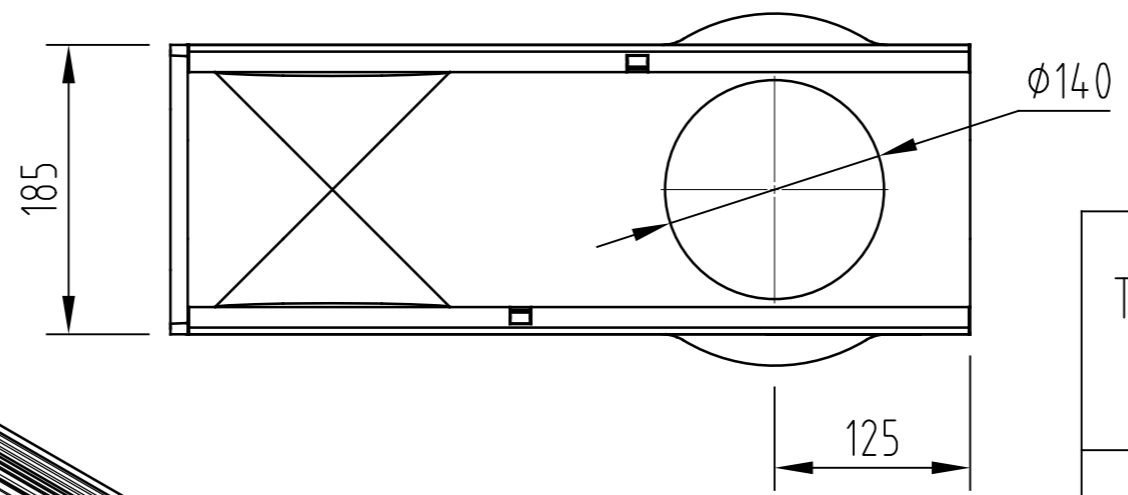
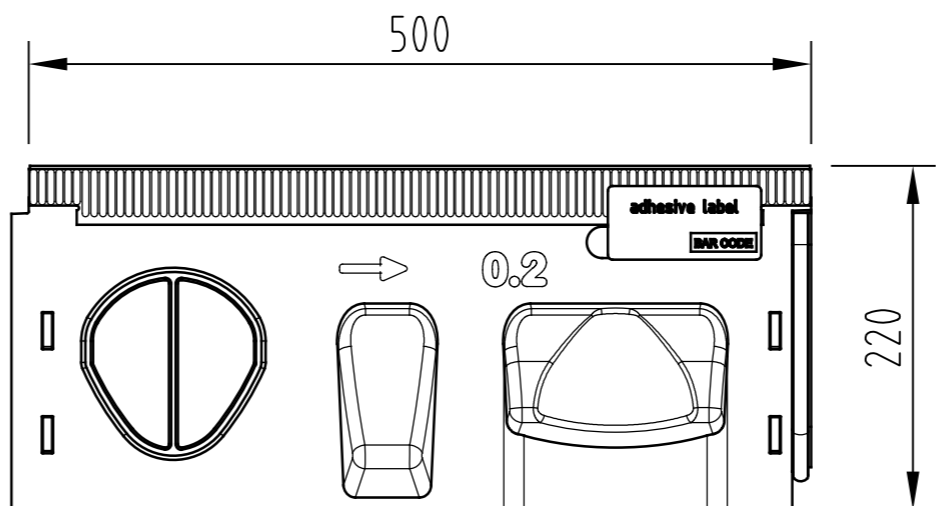
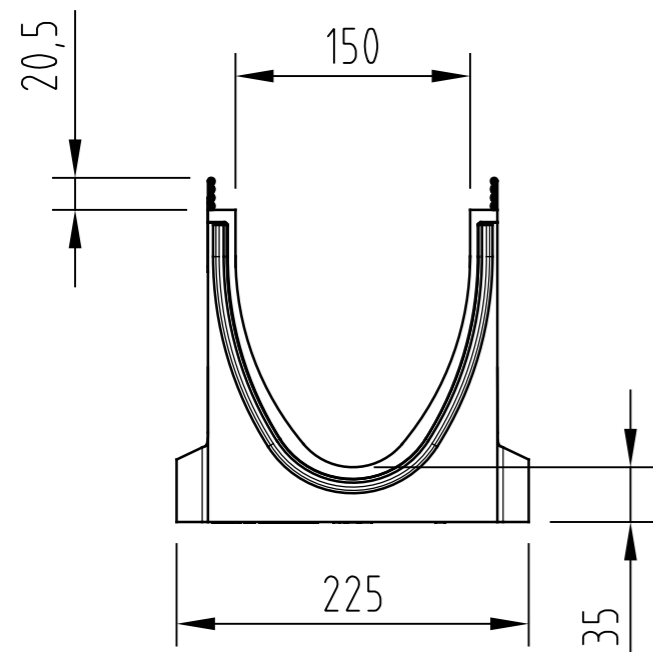
Type	H (mm)	Edge galv. steel Art.-No.	Edge stainl. st. Art.-No.
0.0.2	220	133334	133434
5.0.2	245	133344	133444
10.0.2	270	133354	133454
20.0.2	320	133364	133464

 ACO SEVERIN AHLMANN GmbH & Co.KG 24755 Rendsburg, P.O.Box 320 Germany Tel. 0049 4331 / 354-0 Fax 0049 4331 / 354 130 www.oco.com	drawing-no.:	index:	documenttype: marketing drw.
	created by:	reviewed by:	projection: ISO-E scale: 1:1
title: ACO DRAIN Multiline Seal in Channel V150 0.0.2 / 5.0.2 / 10.0.2 / 20.0.2 with galvanized steel edge or stainless steel edge. (Here shown V150 0.0.2 Seal in)			
The reproduction, distribution and utilization of this document as well as the communication of its contents to others without express authorization is prohibited. Offenders will be held liable for the payment of damages. All rights reserved in the event of the grant of a patent, utility model or design. Observe copyright by ISO 16016			release date: sheet: 1/1


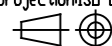


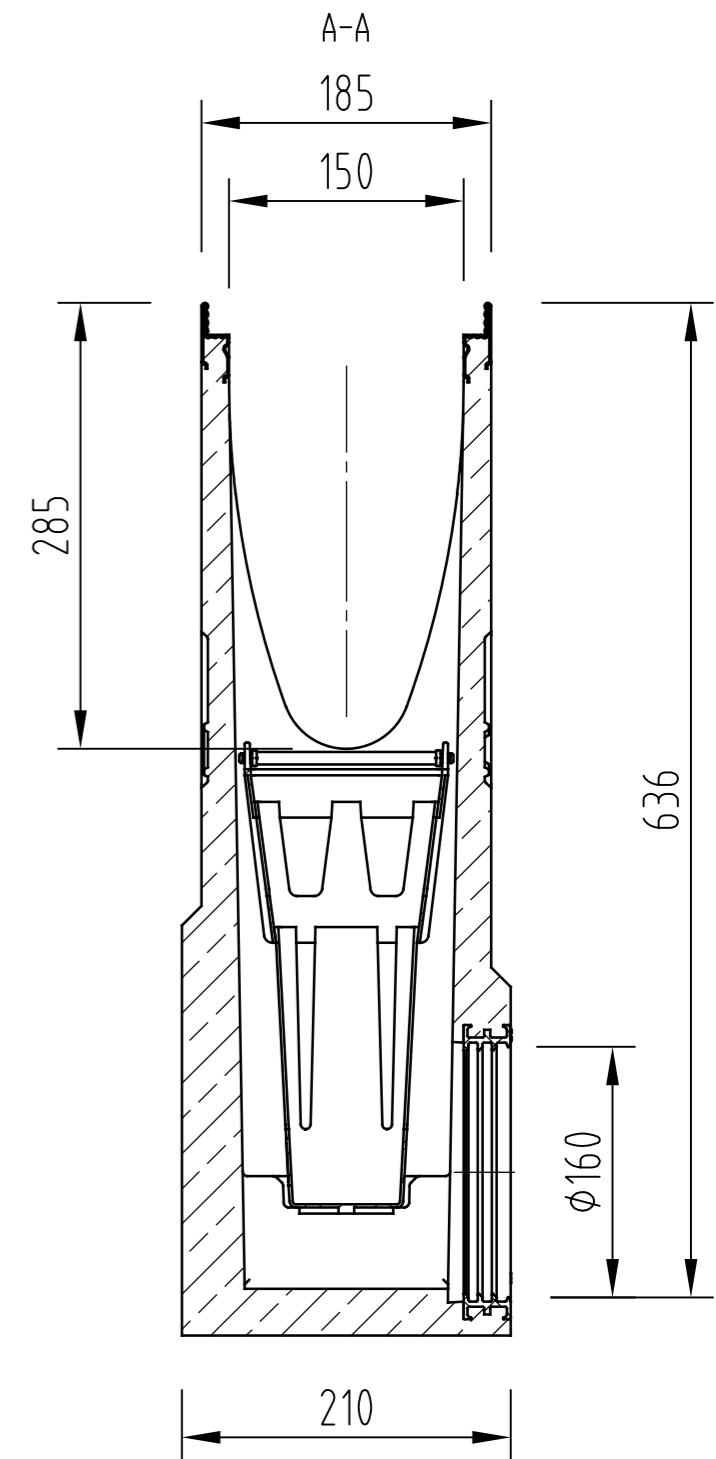
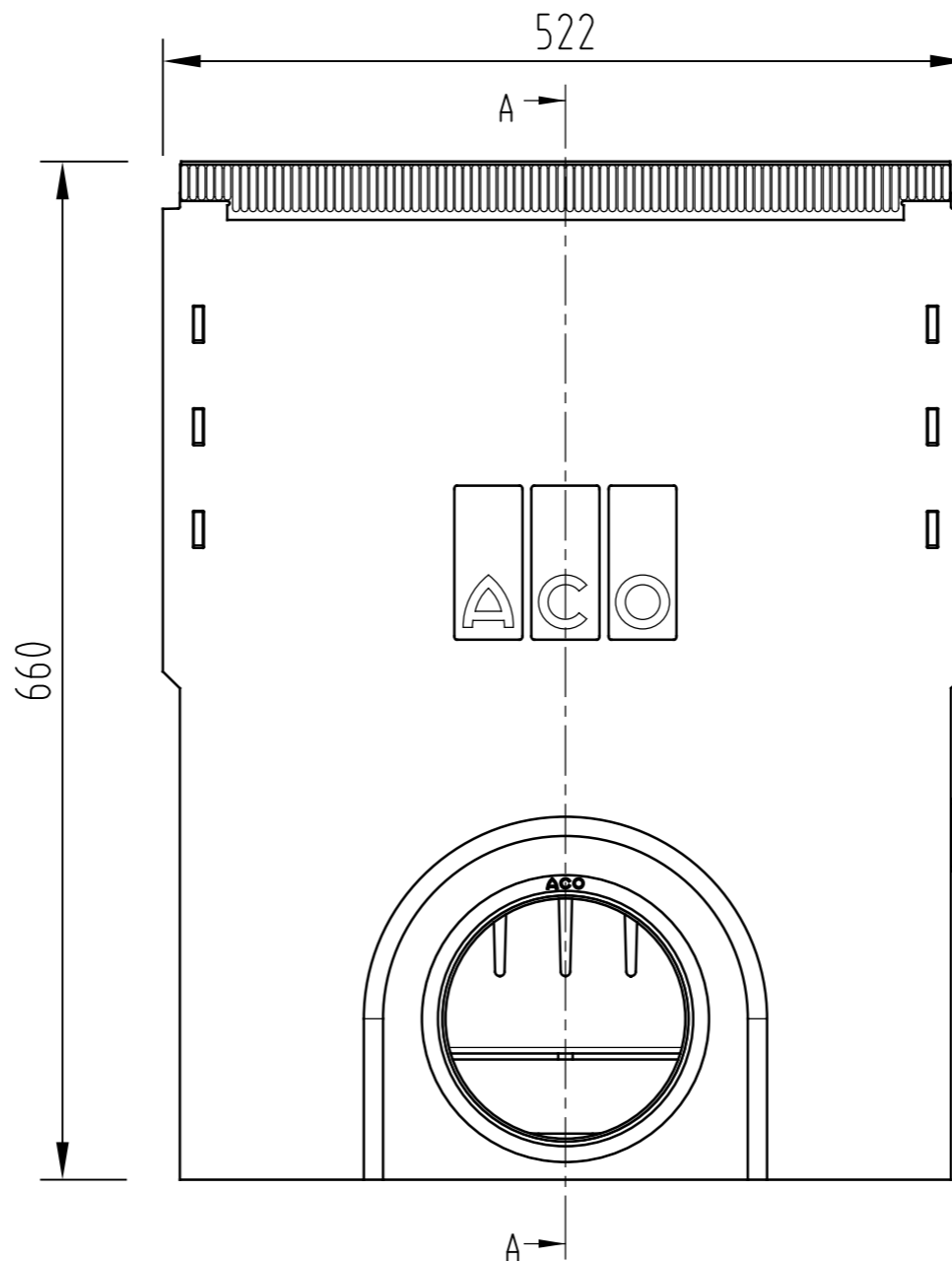
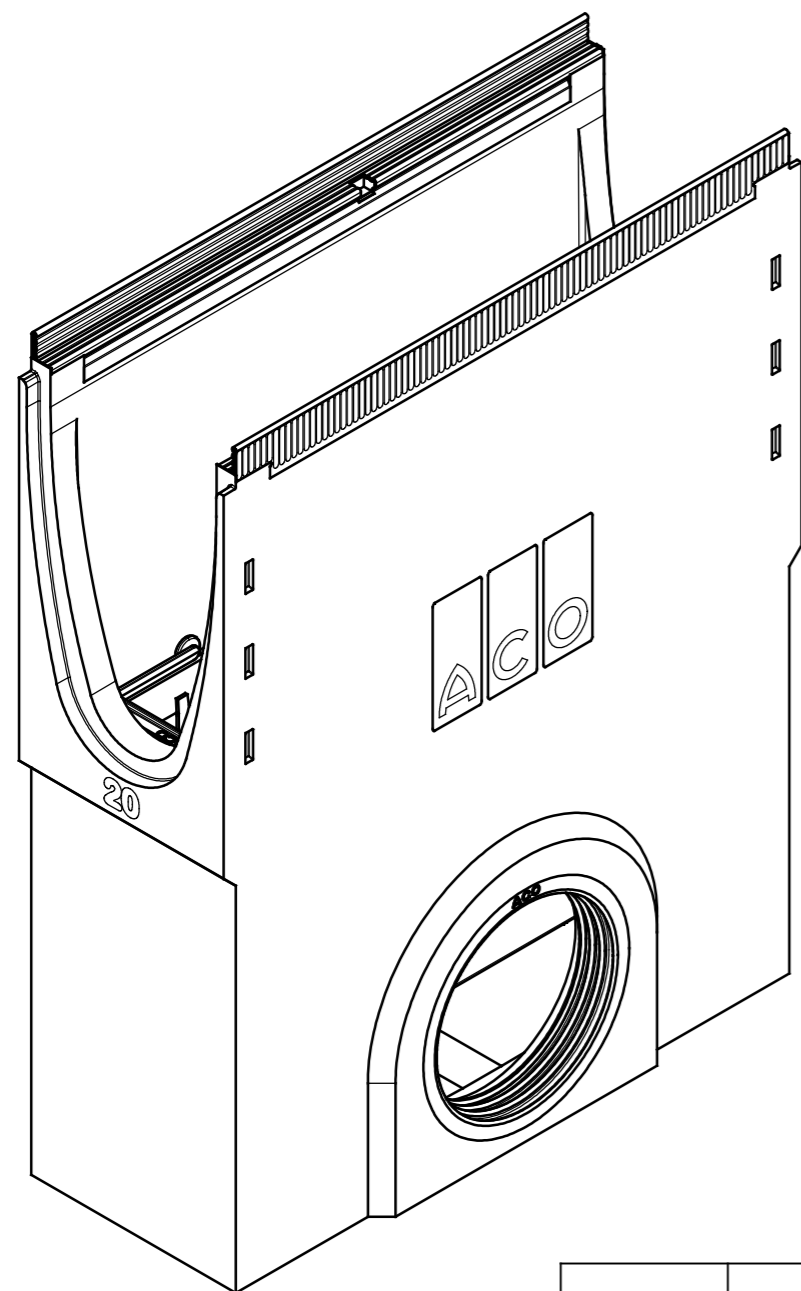
Type	H (mm)	Edge galv. steel Art.-No.	Edge stainl. st. Art.-No.
0.1	210	133331	133431
5.1	235	133341	133441
10.1	260	133351	133451
20.1	310	133361	133461

 ACO SEVERIN AHLMANN GmbH & Co.KG 24755 Rendsburg, P.O.Box 320 Germany Tel. 0049 4331 / 354-0 Fax 0049 4331 / 354 130 www.oco.com	drawing-no.:	index:	documenttype: marketing drw.
	created by:	reviewed by:	projection: ISO-E  scale: 1:1
title: ACO DRAIN Multiline Seal in Channel V150 0.1 / 5.1 / 10.1 / 20.1 with galvanized steel edge or stainless steel edge. (Here shown V150 0.1 Seal in)			
The reproduction, distribution and utilization of this document as well as the communication of its contents to others without express authorization is prohibited. Offenders will be held liable for the payment of damages. All rights reserved in the event of the grant of a patent, utility model or design. Observe copyright by ISO 16016			release date: sheet: 1/1




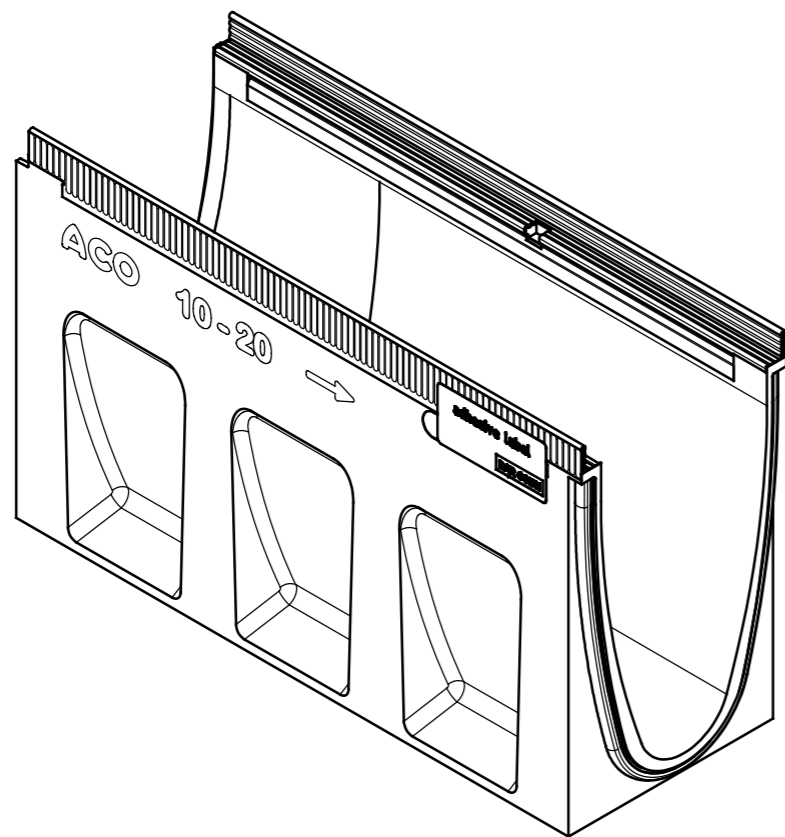
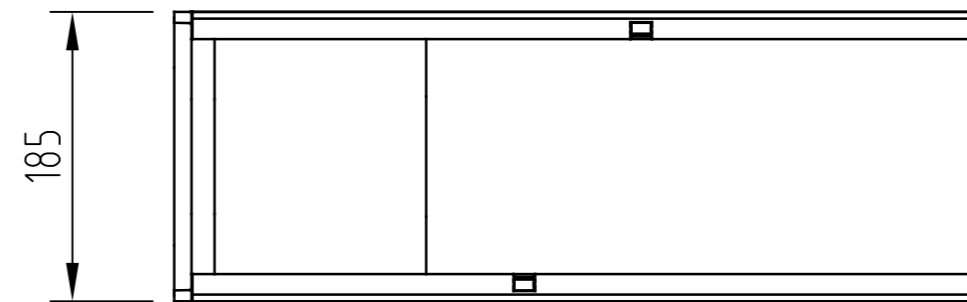
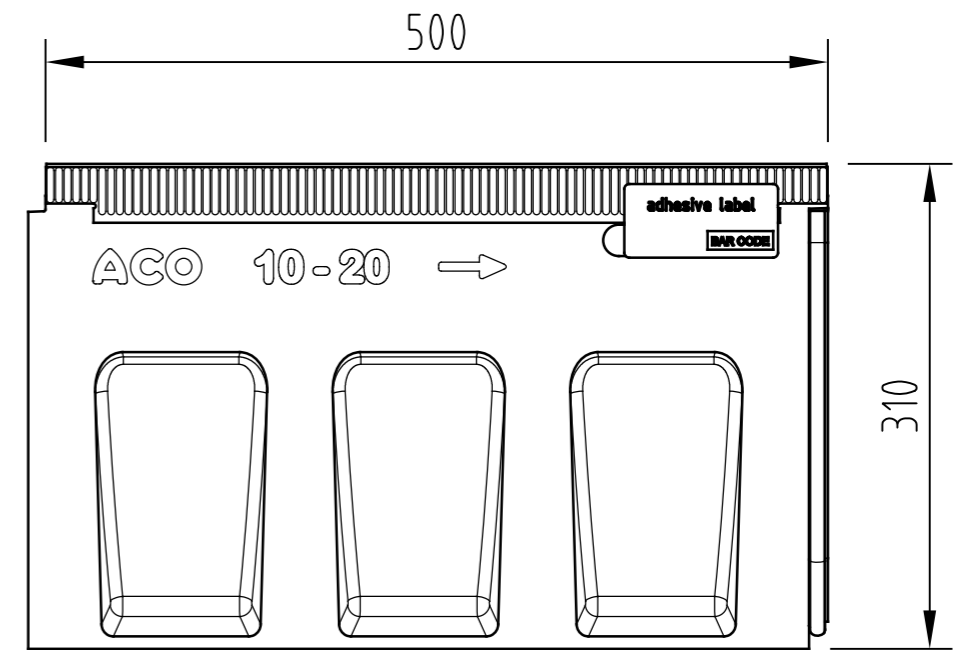
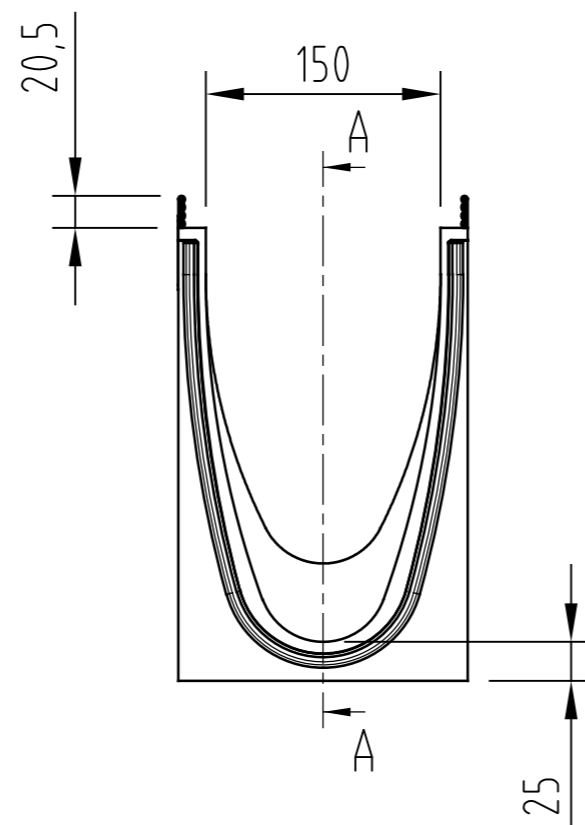
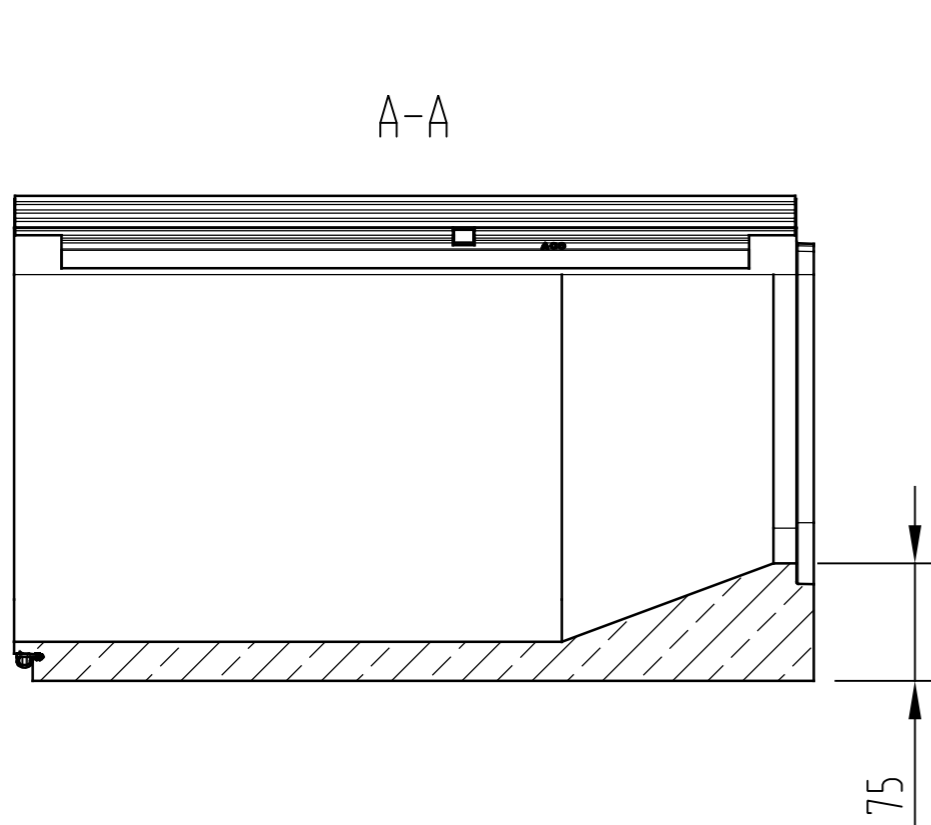
Type	H (mm)	Edge galv. steel Art.-No.	Edge stainl. st. Art.-No.
0.2	220	133332	133432
5.2	245	133342	133442
10.2	270	133352	133452
20.2	320	133362	133462

 ACO SEVERIN AHLMANN GmbH & Co.KG 24755 Rendsburg, P.O.Box 320 Germany Tel. 0049 4331 / 354-0 Fax 0049 4331 / 354 130 www.oco.com	drawing-no.:	index:	documenttype: marketing drw.
	created by:	reviewed by:	projection: ISO-E  scale: 1/1
title: ACO DRAIN Multiline Seal in Channel V150 0.2 / 5.2 / 10.2 / 20.2 with galvanized steel edge or stainless steel edge. (Here shown V150 0.2 Seal in)			
The reproduction, distribution and utilization of this document as well as the communication of its contents to others without express authorization is prohibited. Offenders will be held liable for the payment of damages. All rights reserved in the event of the grant of a patent, utility model or design. Observe copyright by ISO 16016			release date: sheet: 1/1


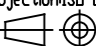


Type	H (mm)	Edge galv. steel Art.-No.	Edge stainl. st. Art.-No.
0	185	133391	133491
5	210	133392	133492
10	235	133393	133493
20	285	133394	133494

 ACO SEVERIN AHLMANN GmbH & Co.KG 24755 Rendsburg, P.O.Box 320 Germany Tel. 0049 4331 / 354-0 Fax 0049 4331 / 354 130 www.oco.com	drawing-no.: index:	documenttype: marketing drw.
	created by: G. Olesen	reviewed by:
title: Multiline Seal in Sump unit V150 DN160 0-20 with galvanized steel or stainless steel rail Here shown type 20		
The reproduction, distribution and utilization of this document as well as the communication of its contents to others without express authorization is prohibited. Offenders will be held liable for the payment of damages. All rights reserved in the event of the grant of a patent, utility model or design. Observe copyright by ISO 16016		release date: sheet: 1/1



Type	H (mm)	Edge galv. steel Art.-No.	Edge stainl. st. Art.-No.
10-20	250	133377	133477

 ACO SEVERIN AHLMANN GmbH & Co.KG 24755 Rendsburg, P.O.Box 320 Germany Tel. 0049 4331 / 354-0 Fax 0049 4331 / 354 130 www.oco.com	drawing-no: 1034884-M	index: D	documenttype: marketing drw.
	created by:	reviewed by:	projection: ISO-E 
title: ACO DRAIN Multiline Seal in Step Adapter V150 10-20 with galvanized steel edge or stainless steel edge			scale: 1:5
The reproduction, distribution and utilization of this document as well as the communication of its contents to others without express authorization is prohibited. Offenders will be held liable for the payment of damages. All rights reserved in the event of the grant of a patent, utility model or design. Observe copyright by ISO 16016			release date: sheet: 1/1