
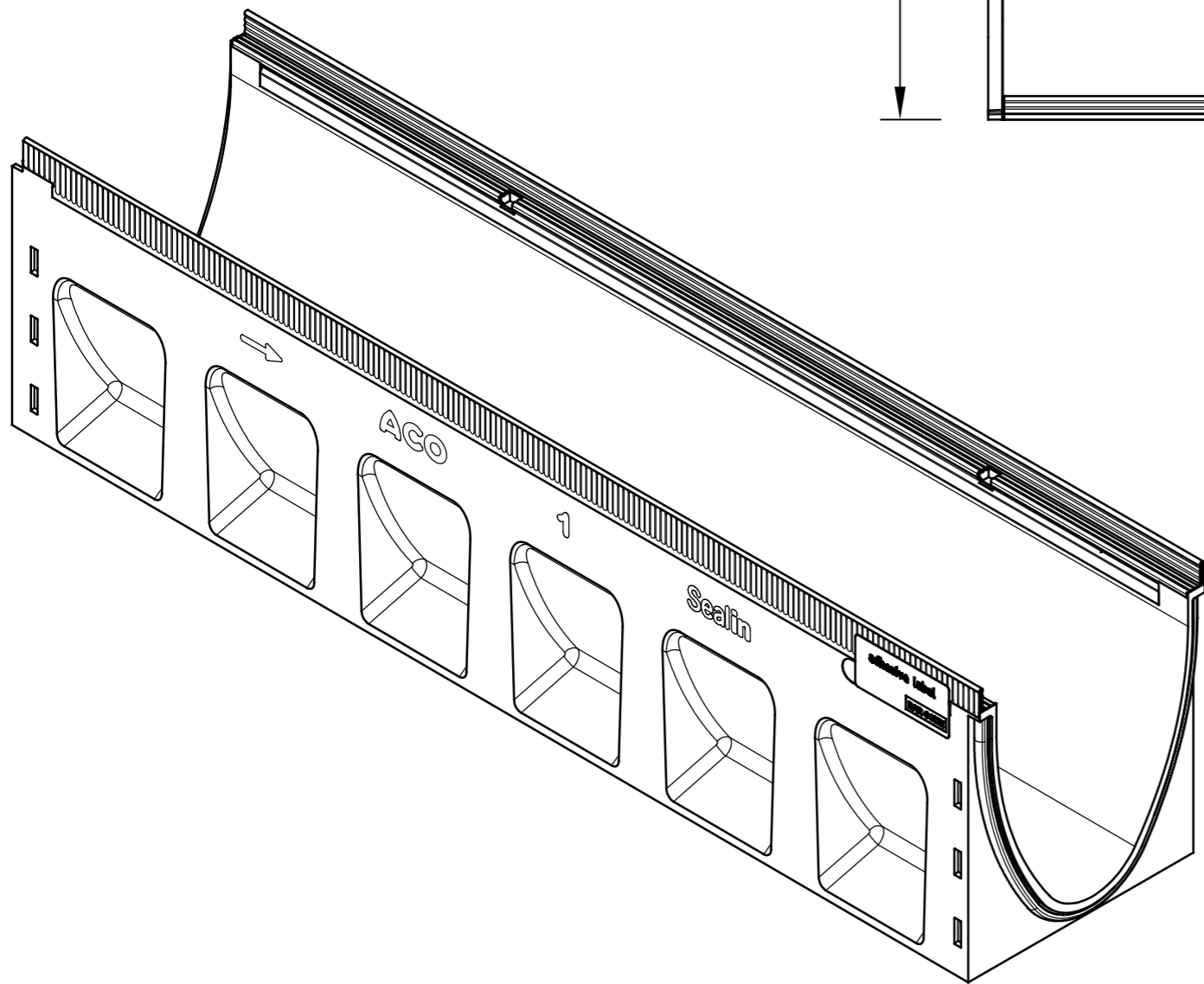
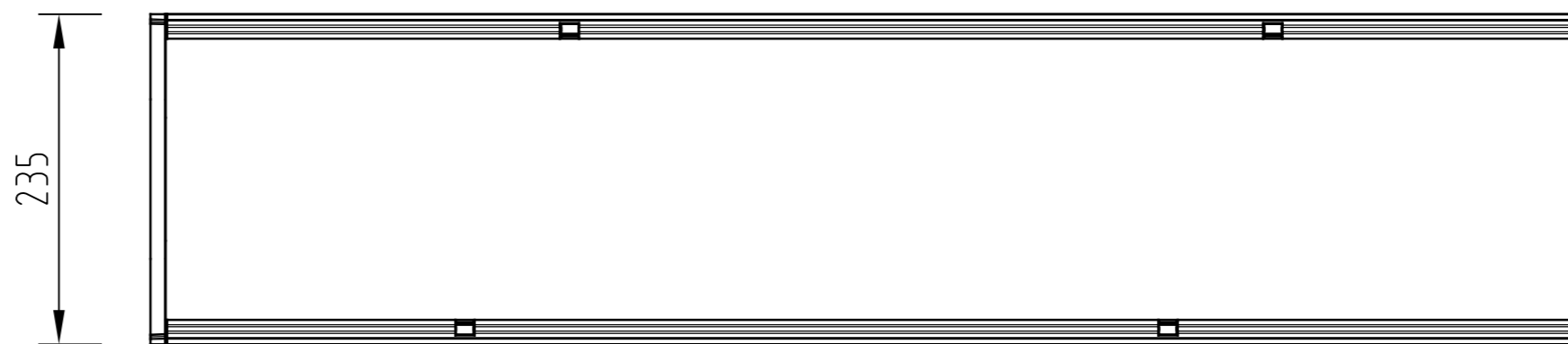
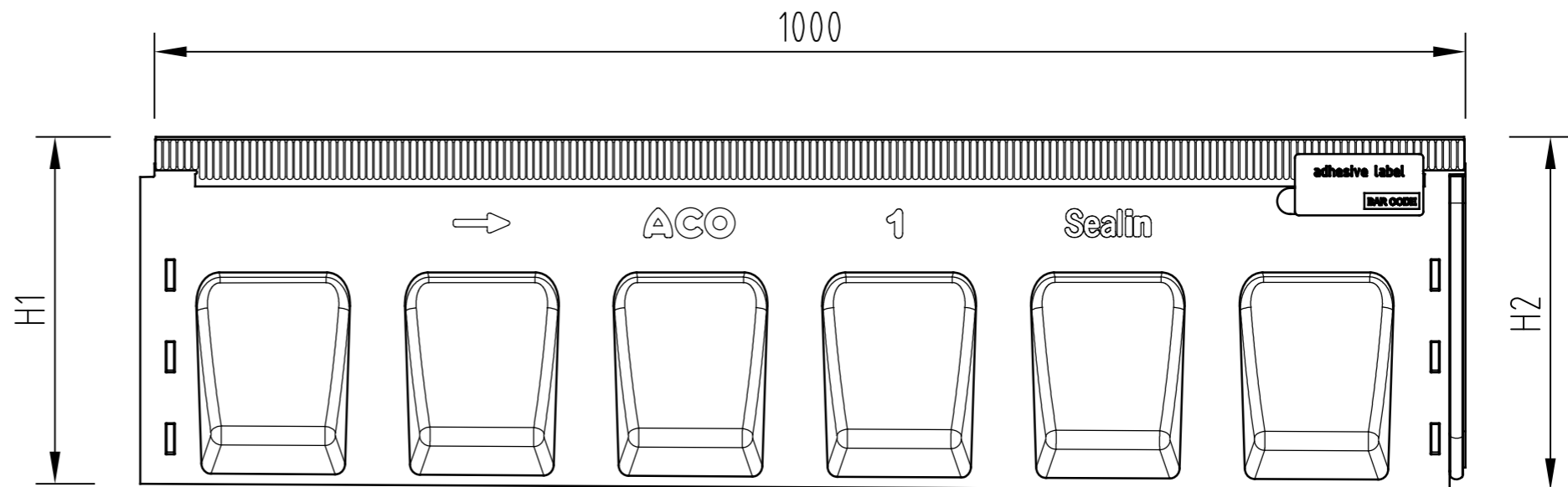
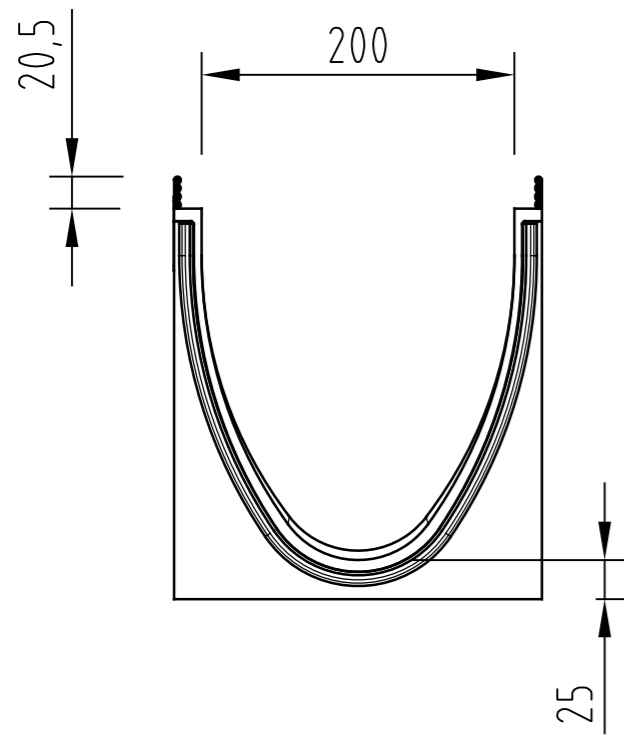



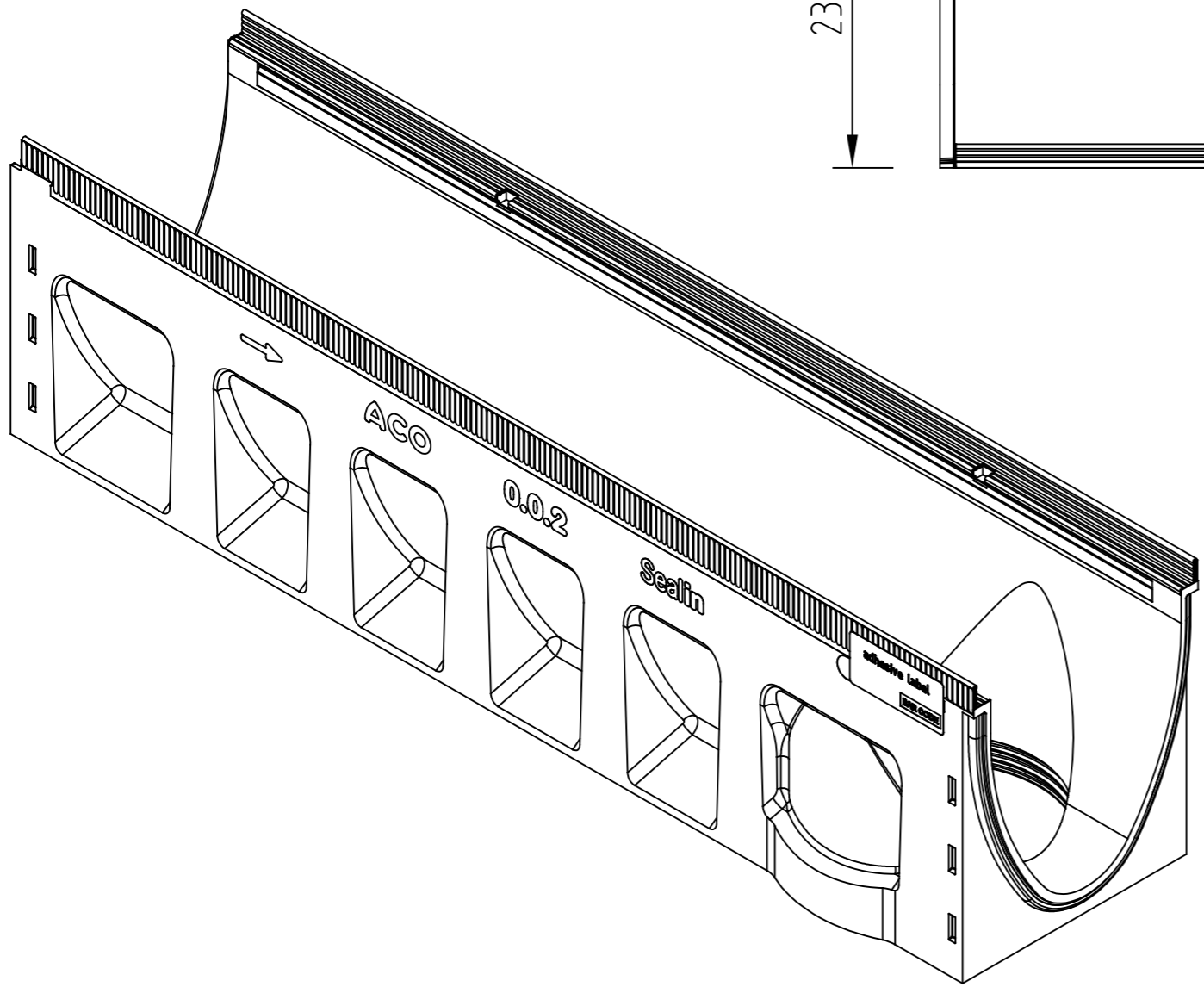
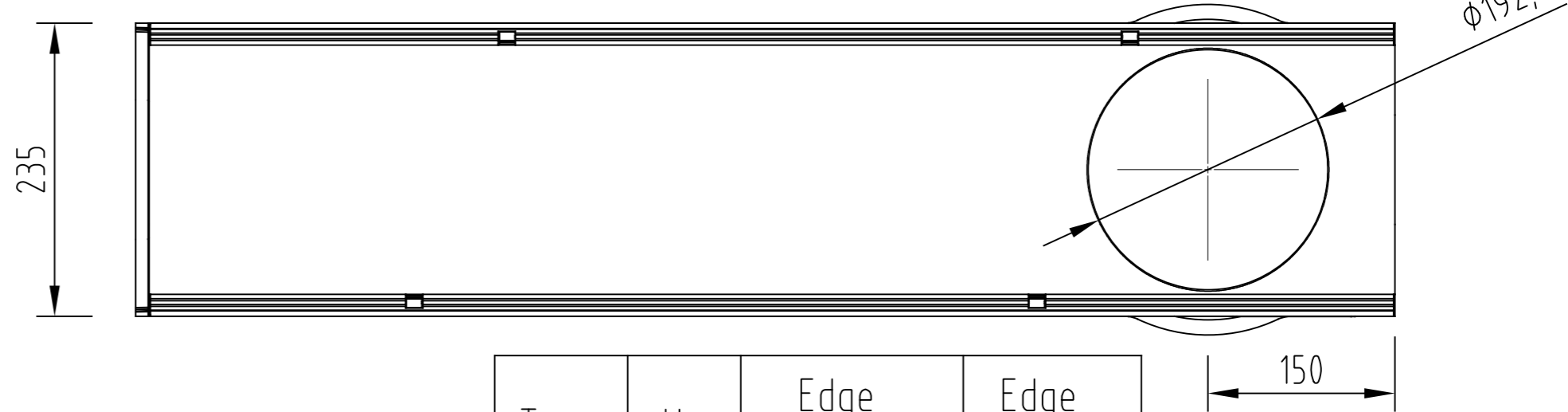
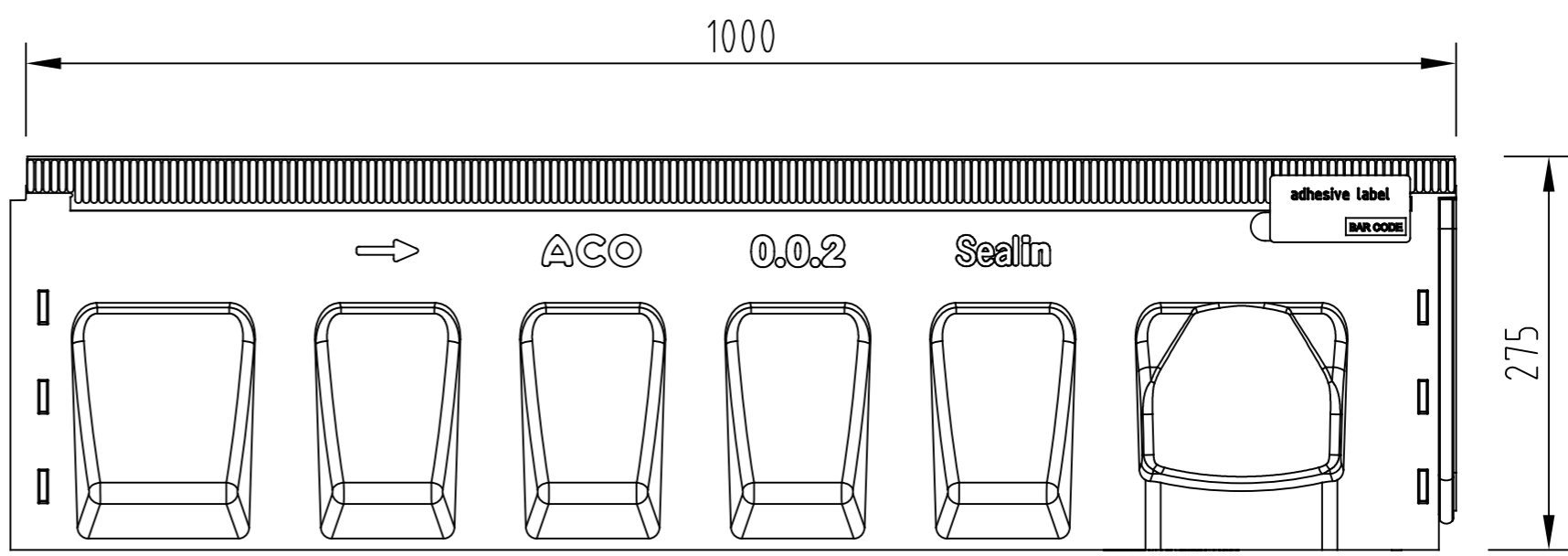
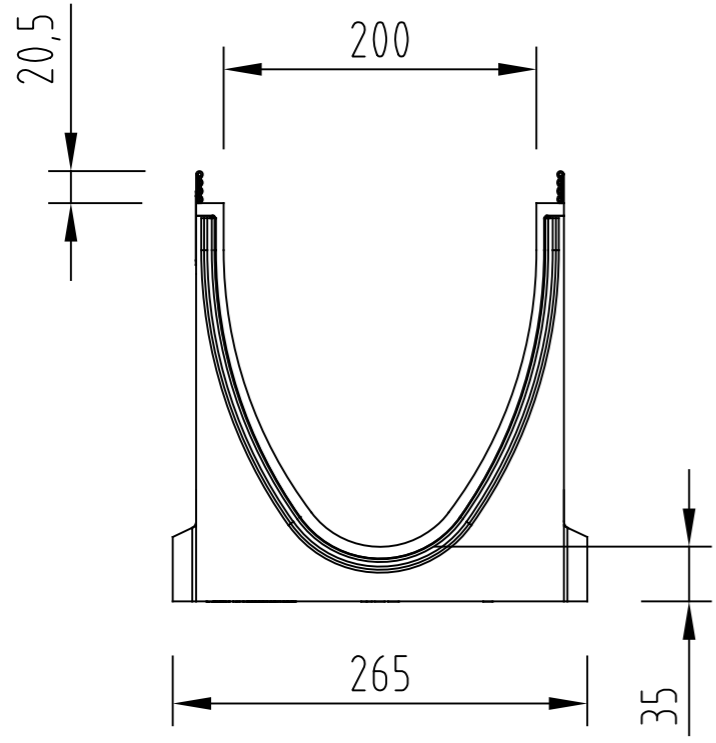
Type	H (mm)	Edge galv. steel Art.-No.	Edge stainl. st. Art.-No.
0.0	265	133530	133730
5.0	290	133540	133740
10.0	315	133550	133750
20.0	365	133570	133770

 <p>ACO SEVERIN AHLMANN GmbH &amp; Co.KG 24755 Rendsburg, P.O.Box 320 Germany Tel. 0049 4331 / 354-0 Fax 0049 4331 / 354 130 www.aco.com</p>	drawing-no:	index:	documenttype: marketing drw.
	created by: G. Olesen	reviewed by:	projection:ISO-E scale: 1:1
title: Multiline Seal in Channel V200S 1m 0.0-20.0 with galvanized steel stainless steel rail Here shown type 0.0			
The reproduction, distribution and utilization of this document as well as the communication of its contents to others without express authorization is prohibited. Offenders will be held liable for the payment of damages. All rights reserved in the event of the grant of a patent, utility model or design. Observe copyright by ISD 16016			release date: sheet: 1/1





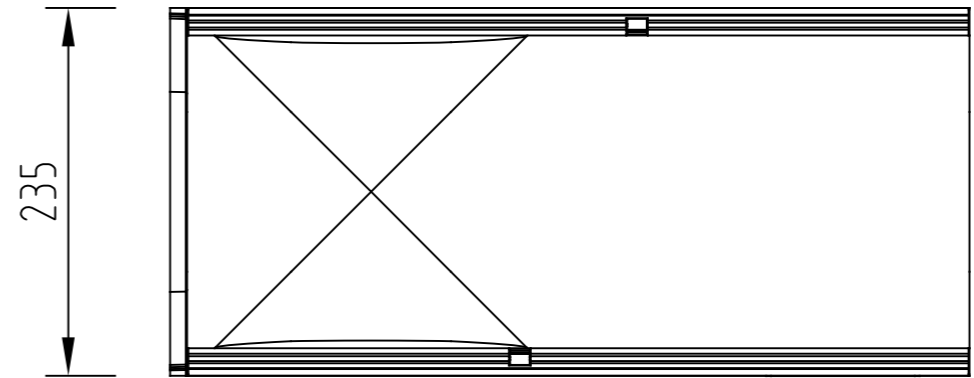
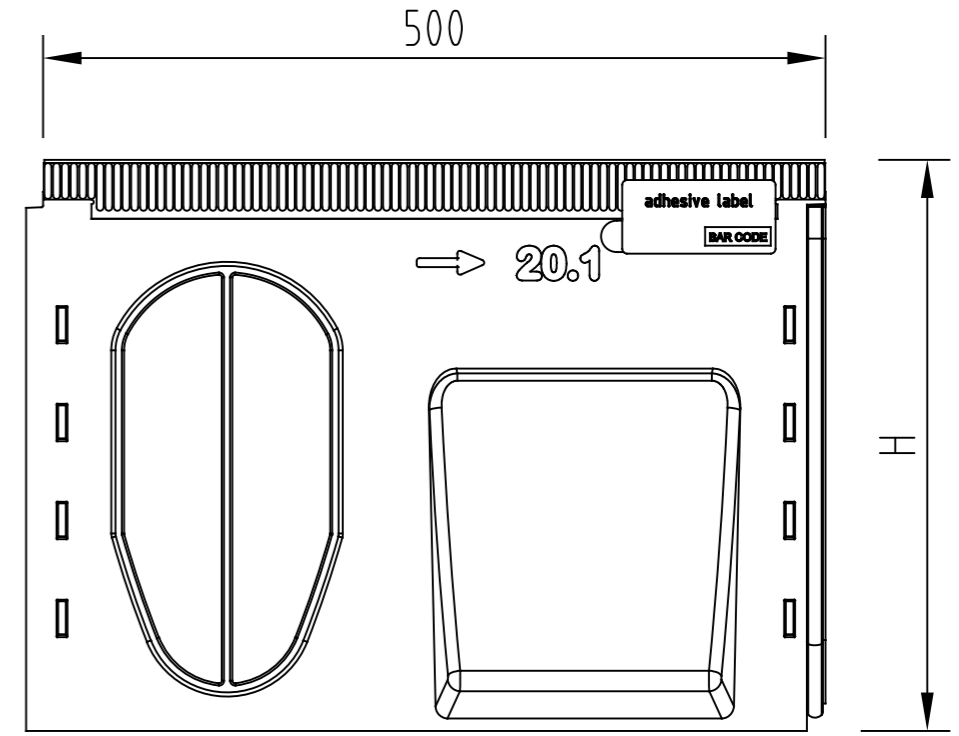
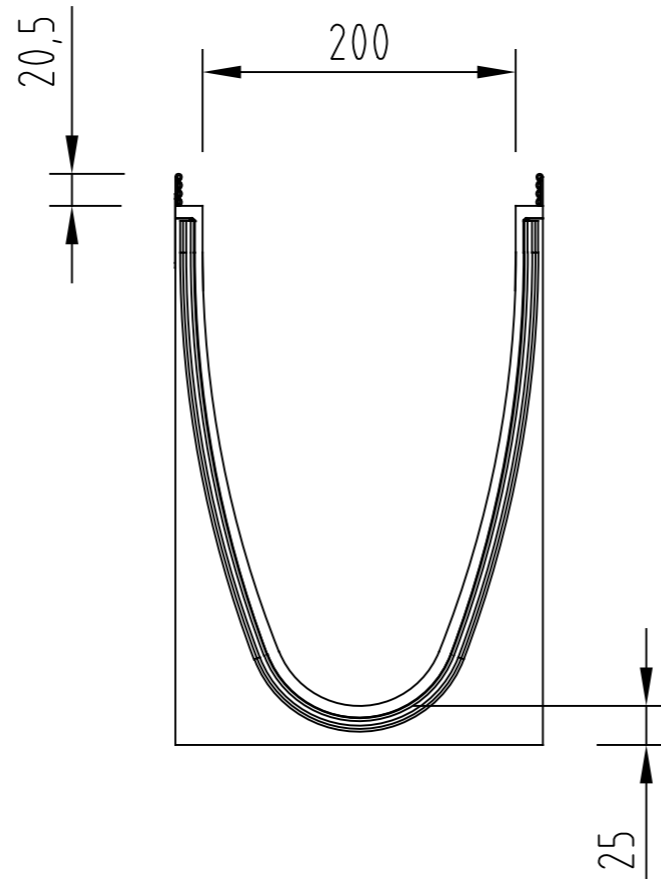
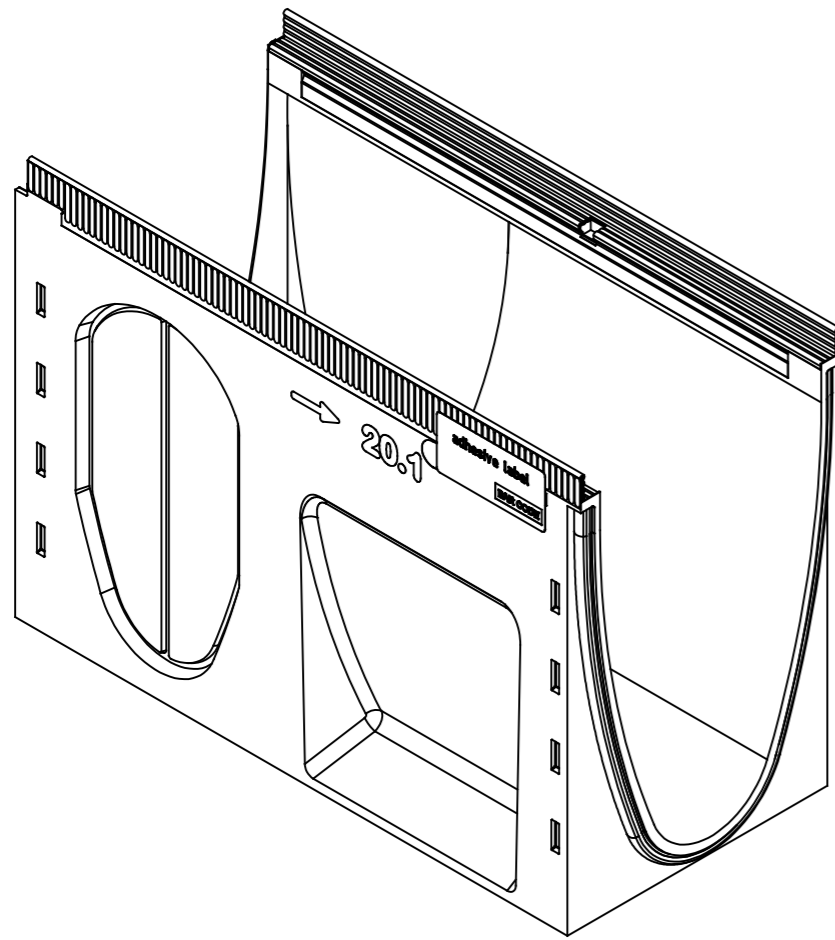
Type	H1 (mm)	H2 (mm)	Edge galv. steel Art.-No.	Edge stainl. steel Art.-No.	Type	H1 (mm)	H2 (mm)	Edge galv. steel Art.-No.	Edge stainl. steel Art.-No.
1	265	270	133501	133701	6	290	295	133506	133706
2	270	275	133502	133702	7	295	300	133507	133707
3	275	280	133503	133703	8	300	305	133508	133708
4	280	285	133504	133704	9	305	310	133509	133709
5	285	290	133505	133705	10	310	315	133510	133710

 ACO SEVERIN AHLMANN GmbH & Co.KG 24755 Rendsburg, P.O.Box 320 Germany Tel. 0049 4331 / 354-0 Fax 0049 4331 / 354 130 www.aco.com	drawing-no: index:	documenttype: marketing drw.
	created by: G. Olesen	reviewed by:
title: Multiline Seal in Slope Channel V200S 1m 1-10 with galvanized steel or stainless steel rail Here shown type 1		
The reproduction, distribution and utilization of this document as well as the communication of its contents to others without express authorization is prohibited. Offenders will be held liable for the payment of damages. All rights reserved in the event of the grant of a patent, utility model or design. Observe copyright by ISO 16016		release date: sheet: 1/1





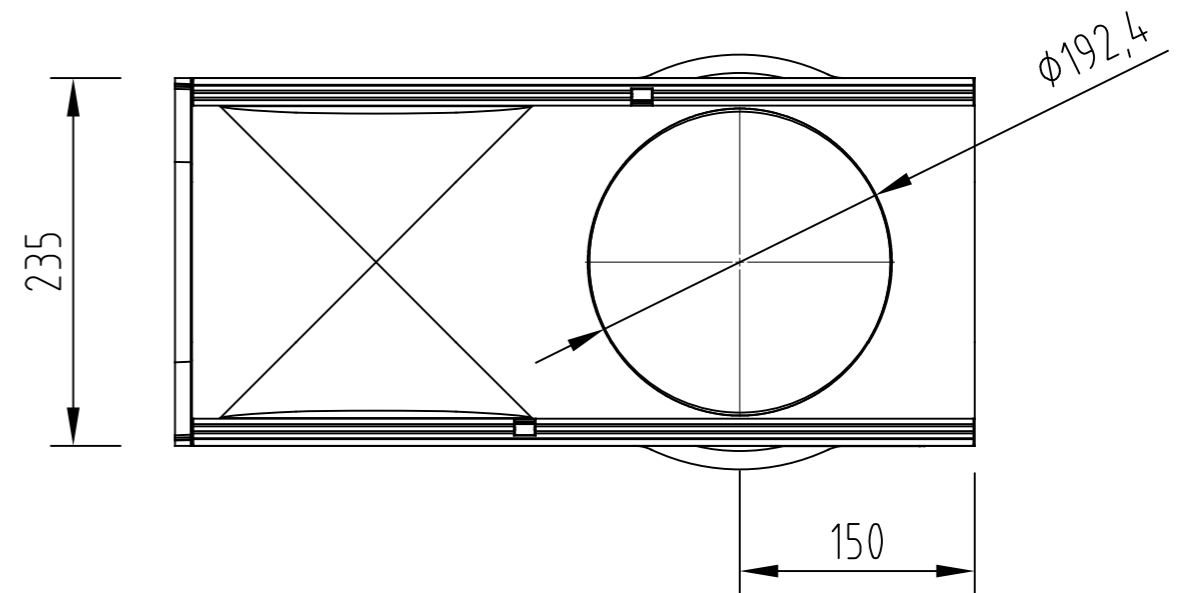
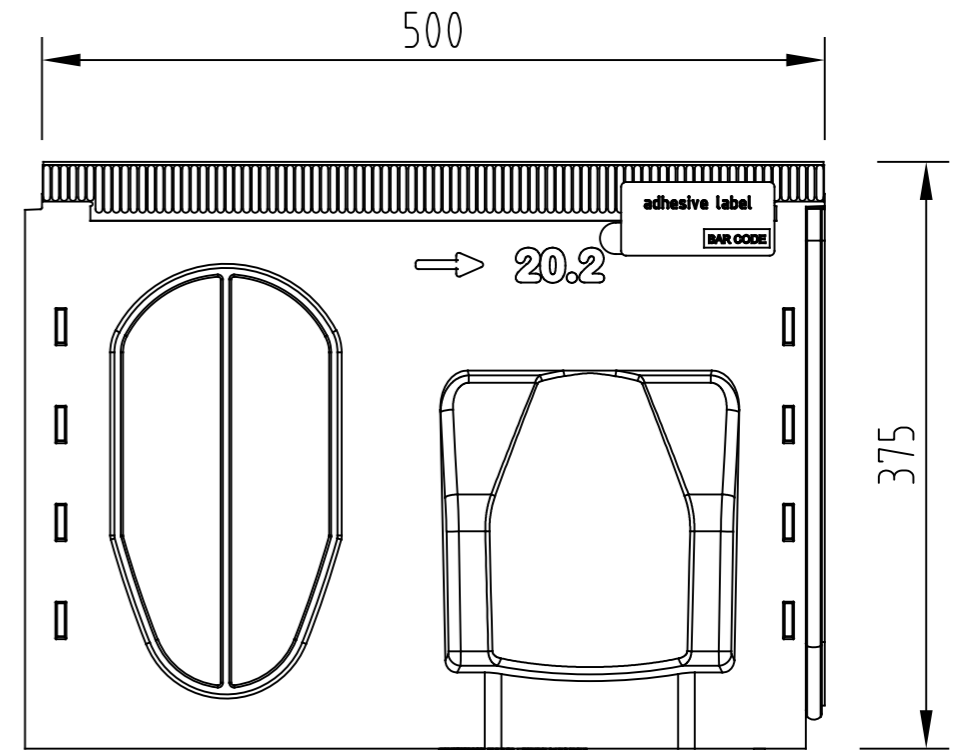
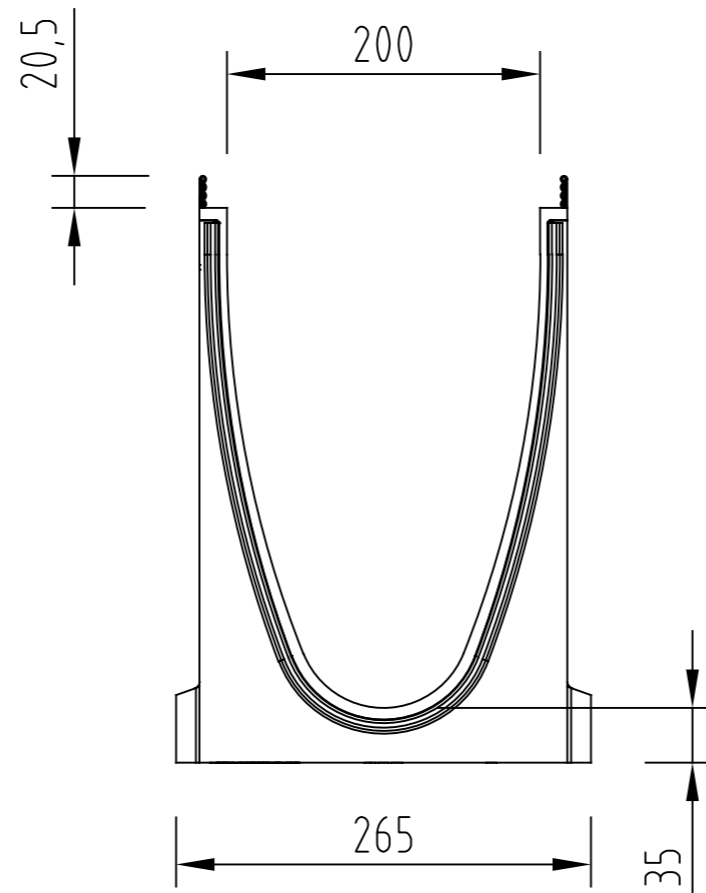
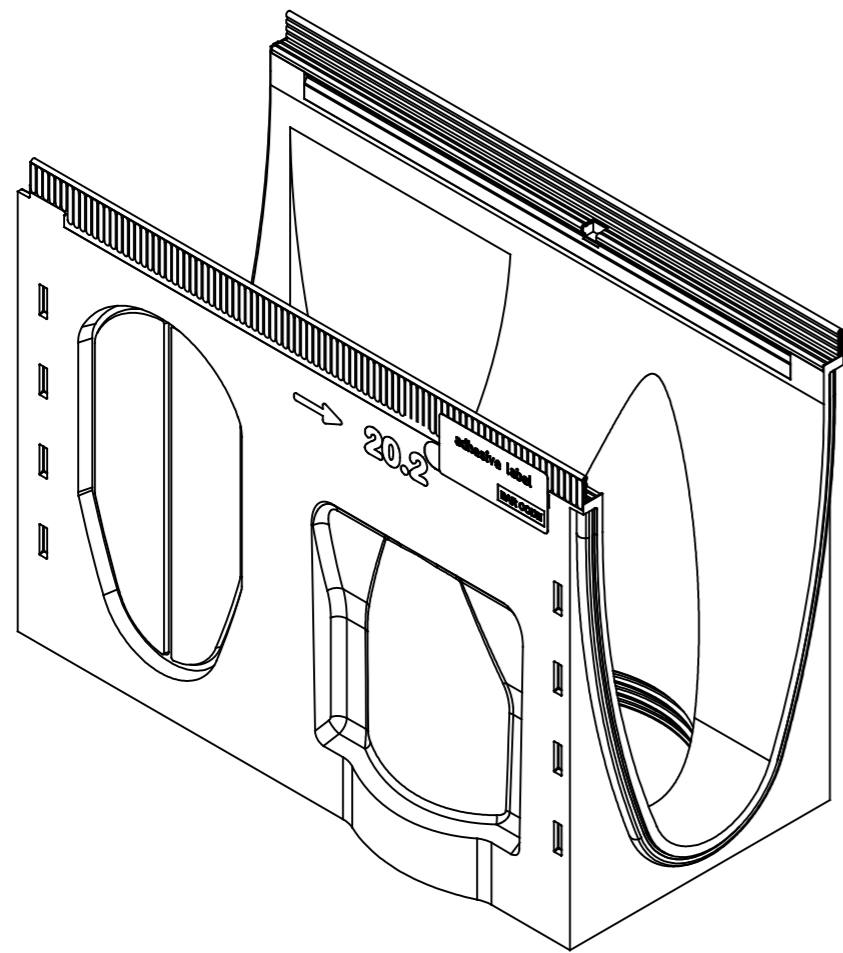
Type	H (mm)	Edge galv. steel Art.-No.	Edge stainl. st. Art.-No.
0.0.2	275	133534	133734
5.0.2	300	133544	133744
10.0.2	325	133554	133754
20.0.2	375	133574	133774

 ACO SEVERIN AHLMANN GmbH & Co.KG 24755 Rendsburg, P.O.Box 320 Germany Tel. 0049 4331 / 354-0 Fax 0049 4331 / 354 130 www.aco.com	drawing-no:	index:	documenttype: marketing drw.
	created by: G. Olesen	reviewed by:	projection: ISO-E 
title: Multiline Seal in Channel V200S 1m LLS 0.0.2-20.0.2 with galvanized steel or stainless steel rail Here shown type 0.0.2			release date:
The reproduction, distribution and utilization of this document as well as the communication of its contents to others without express authorization is prohibited. Offenders will be held liable for the payment of damages. All rights reserved in the event of the grant of a patent, utility model or design. Observe copyright by ISO 16016			sheet: 1/1





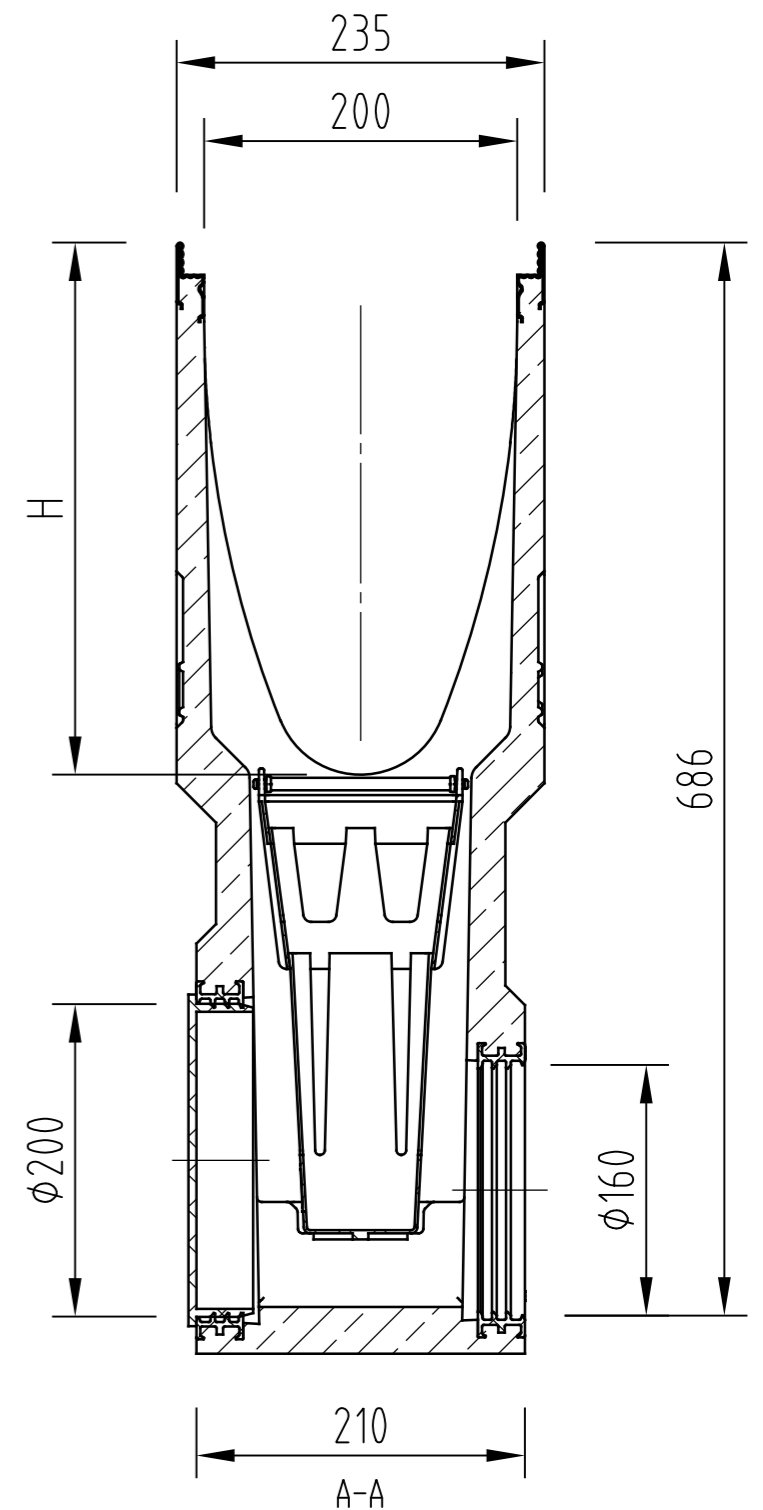
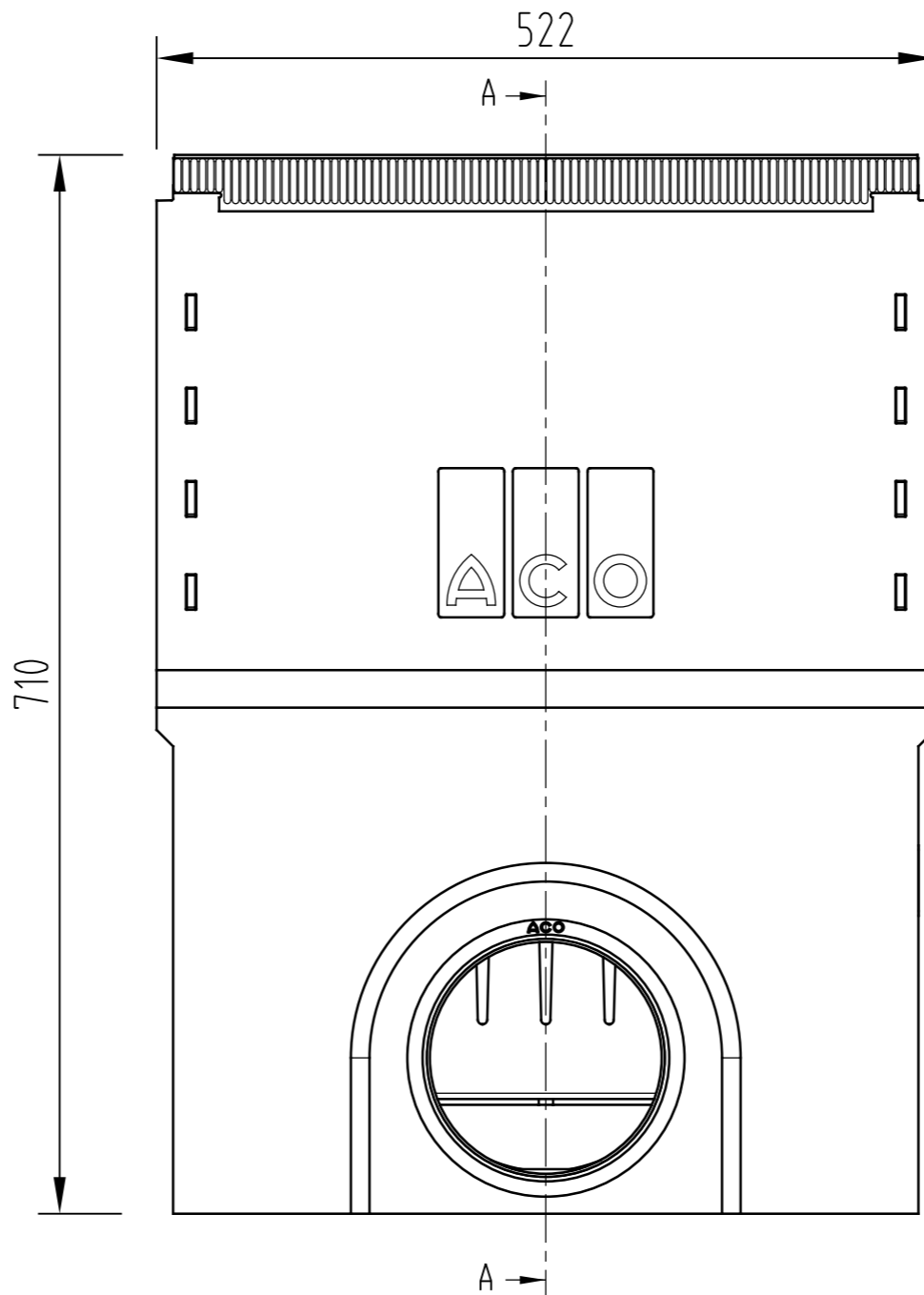
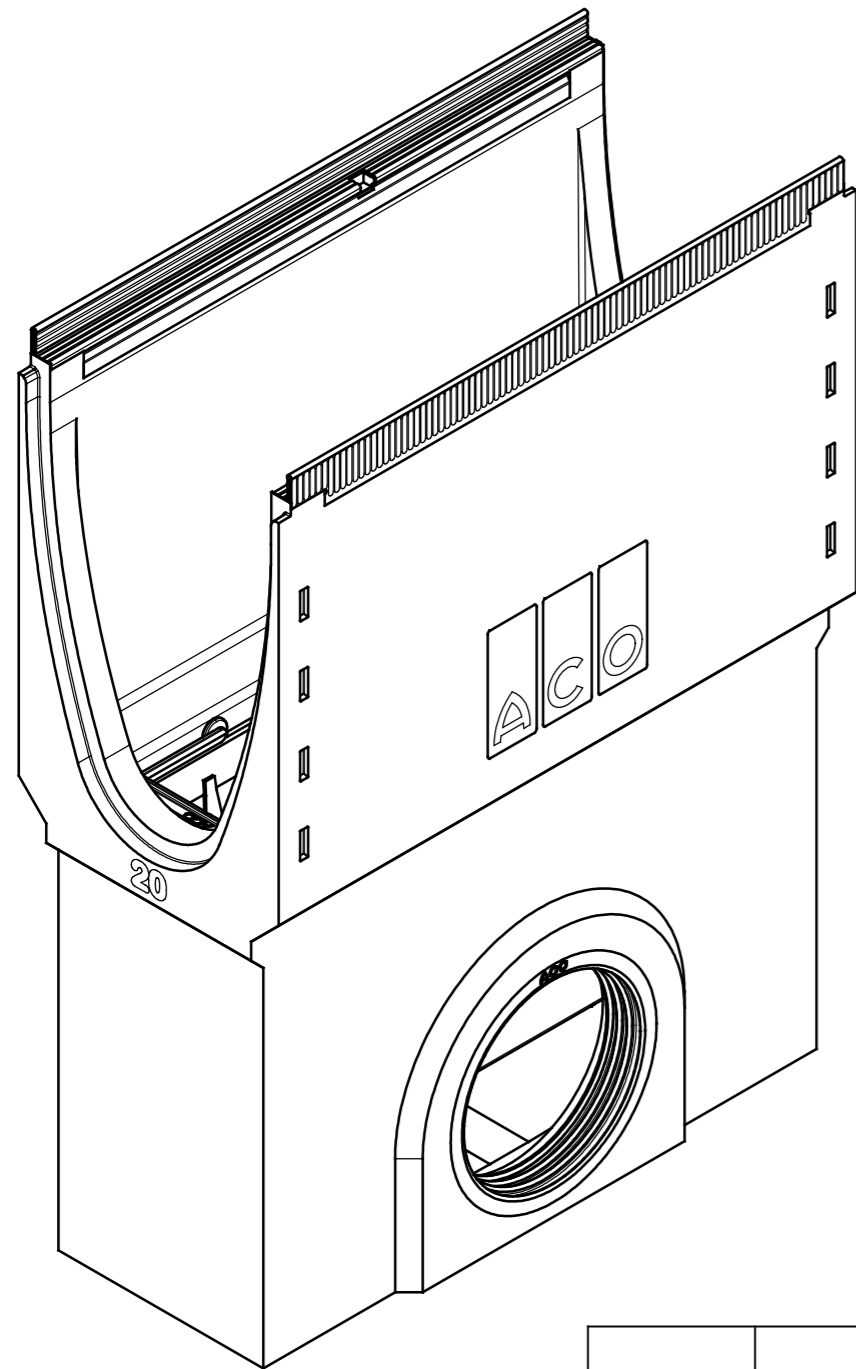
Type	H (mm)	Edge galv. steel Art.-No.	Edge stainl. st. Art.-No.
0	265	133531	133731
5	290	133541	133741
10	315	133551	133751
20	365	133571	133771

 ACO SEVERIN AHLMANN GmbH & Co.KG 24755 Rendsburg, P.O.Box 320 Germany Tel. 0049 4331 / 354-0 Fax 0049 4331 / 354 130 www.aco.com	drawing-no:	index:	documenttype: marketing drw.
	created by: G. Olesen	reviewed by:	projection: ISO-E 
title: Multiline Seal in Channel V200S 0,5m 0.1-20.1 with galvanized steel or stainless steel rail Here shown type 20.1			
The reproduction, distribution and utilization of this document as well as the communication of its contents to others without express authorization is prohibited. Offenders will be held liable for the payment of damages. All rights reserved in the event of the grant of a patent, utility model or design. Observe copyright by ISD 16016			release date:
			sheet: 1/1





Type	H (mm)	Edge galv. steel Art.-No.	Edge stainl. st. Art.-No.
0.2	275	133532	133732
5.2	300	133542	133742
10.2	325	133552	133752
20.2	375	133572	133772

 ACO SEVERIN AHLMANN GmbH & Co.KG 24755 Rendsburg, P.O.Box 320 Germany Tel. 0049 4331 / 354-0 Fax 0049 4331 / 354 130 www.aco.com	drawing-no:	index:	documenttype: marketing drw.
	created by: G. Olesen	reviewed by:	projection: ISO-E 
title: Multiline Seal in Channel V200S 0,5m LLD 20.2 with galvanized steel or stainless steel rail Here shown type 20.2			release date:
The reproduction, distribution and utilization of this document as well as the communication of its contents to others without express authorization is prohibited. Offenders will be held liable for the payment of damages. All rights reserved in the event of the grant of a patent, utility model or design. Observe copyright by ISD 16016			sheet: 1/1



Type	H (mm)	Edge galv. steel Art.-No.	Edge stainl. st. Art.-No.
0	240	133591	133791
5	265	133592	133792
10	290	133593	133793
20	340	133594	133794

 ACO SEVERIN AHLMANN GmbH & Co.KG 24755 Rendsburg, P.O.Box 320 Germany Tel. 0049 4331 / 354-0 Fax 0049 4331 / 354 130 www.aco.com	drawing-no:	index:	documenttype: marketing drw.
	created by: G. Olesen	reviewed by:	projection: ISO-E 
title: Multiline Seal in Sump unit V200 DN160-DN200 0-20 with galvanized steel rail or stainless steel rail Here shown type 20			
The reproduction, distribution and utilization of this document as well as the communication of its contents to others without express authorization is prohibited. Offenders will be held liable for the payment of damages. All rights reserved in the event of the grant of a patent, utility model or design. Observe copyright by ISD 16016			release date:
			sheet: 1/1